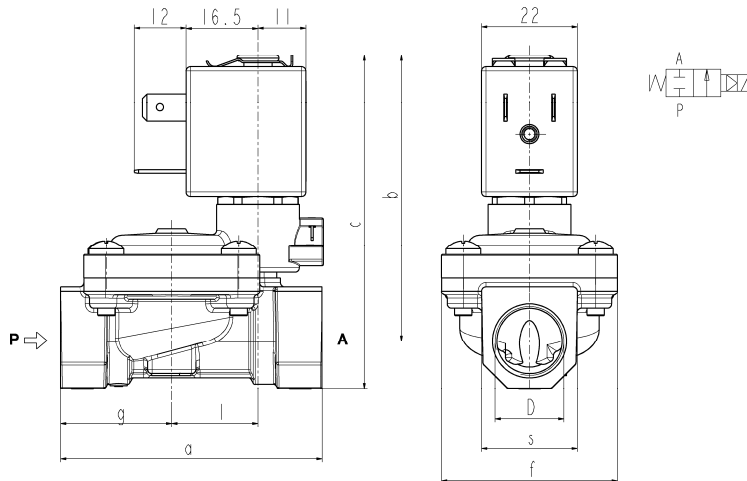




SOLENOID VALVE
2/2- NC (Normally closed)
Pilot operated
G 3/8 ÷ G 1

L182



D	a	b	c	f	g	l	s
G 3/8	60	66	77	40	25,5	20	22
G 1/2	66	68	82	40	29	20	27
G 3/4	79	72,5	89	50	35,5	24,5	33
G 1	105	85	106	71	46	28	42

► GENERAL FEATURES

Diaphragm valve, pilot operated, having full orifice.
 Suitable to shut off liquid and gaseous fluids (verify the compatibility of fluid with material in contact).

► TECHNICAL FEATURES

Maximum allowable pressure (PS)	20bar			
Response times	3/8	1/2	3/4	1
Opening time (ms)	70	70	70	90
Closing time (ms)	670	600	500	420
Fluid temperature	-10°C +90°C (NBR) 0°C +130°C (FPM) -10°C +140°C (EPDM)			
Max viscosity	5°E (~37 cStokes or mm ² /s)			

► MATERIALS IN CONTACT WITH FLUID

Body	Brass
Sealing	NBR or FPM or EPDM
Internal components	Brass and stainless steel
Seat	Brass
Core tube	Stainless steel
Shading coil	Copper

► COIL

Approval	UL and CSA
Encapsulation material	PET
Insulation class	F (155°C)
Ambient temperature	-10°C +60°C
Continuous duty	H (180°C)
Electric connection	-10°C +75°C
Protection degree	ED 100%
Voltages	DIN 46340 - 3 poles plug connector
	IP 65 (EN 60529) with plug connector
	IP 67 (EN 60529) with plug connector
	IP 67 (EN 60529) with plug connector
	12-24V (+10% -5%)
	24V/50-60Hz - 115V/50Hz - 230V/50-60Hz (+10% -15%)
	(Other voltages and frequencies on request).

*** On request**

Approval	ZB12Y	ZB14Y
Voltages	UL	UL
	220-230V/50Hz	208-240V/60Hz (+10% -15%)

Port size ISO 228	Orifice size (mm)	Differential pressure (bar)				Kv (m ³ /h)	Series and type			Power absorption				Sealings	Notes	Weight (kg)
		Δp max					Valve	Valve with manual override	Coil	AC (VA)			DC			
		Gases		Liquids						Inrush	Holding					
Δp min	AC	DC	AC	DC	VA	VA	W	W								
3/8	13,5	0,35	16 (12)	16 (12)	16 (12)	16 (12)	L182(*)01	L182(*)02	ZB10A ZB12A	12	6	4	5,5	(*) = B (NBR) (*) = V (FPM) (*) = D (EPDM)	1-3	2,5
1/2			3,8													
3/4	12 (10)		12 (10)	12 (10)	12 (10)	5										
1	24		12													

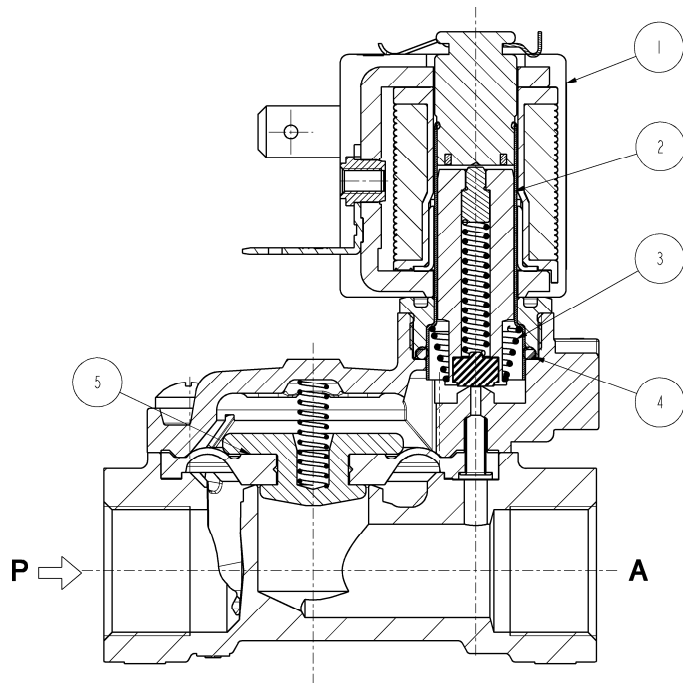
► NOTES

- Sealings: B(NBR)=Nitrile-butylene elastomer V(FPM)=Fluoro-carbon elastomer D(EPDM)=Ethylene-propylene elastomer (WRAS/KTW certified compound)
- Operation with gaseous media, at high pressure without any outlet restriction, can reduce the diaphragm life.
- On request coil in class H (ZB14A – see § "COIL")
- The bracketed values of Δp max are related to valves with V(FPM) seals.
- 1 - Low power consumption coil on request (3,5 VA in AC – 3W in DC): Δp max = 12 bar
- 2 - Low power consumption coil on request (3,5 VA in AC – 3W in DC): Δp max = 8 bar
- 3 - L182D01 – L182D02: WRAS certified solenoid valves (certificate n. 1411048).

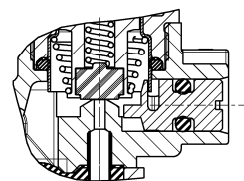
L182

► SPARE PARTS

L182 B-V-D01



L182 B-V-D02



Kit description

Kit P.N.

Consisting of:

Core kit

L182B-V	G3138201
L182D	G3138202

Core kit pos.2
Core return spring pos. 3
O-Ring guide assembly pos. 4

Diaphragm assembly

L182B	3/8-1/2	2844302R
L182V	3/8-1/2	2844303R
L182D	3/8-1/2	2844306R
L182B	3/4	2299701R
	1	2380101R
L182V	3/4	2299702R
	1	2380102R
L182D	3/4	2299708R
	1	2380106R

Diaphragm assembly pos.5

Coil

ZB10
ZB12
ZB14

Coil pos.1

► **INSTALLATION**

- Solenoid valve can be mounted in any position; vertical with coil upwards preferred.

THE VALIDITY OF REPORTED DATA IS REFERRED TO THE DATE OF ISSUE. POSSIBLE UPDATES ARE AVAILABLE ON REQUEST